

Solution Manual for Introduction to Engineering Analysis 4th Edition Hagen 0133485080 9780133485080

Full link download

Solution Manual

<https://testbankpack.com/p/solution-manual-for-introduction-to-engineering-analysis-4th-edition-hagen-0133485080-9780133485080/>

CHAPTER 2

Section 2.2 Practice!

1. For the following dimensional equation, find the base dimensions of the parameter k .

$$ML^2 = k \text{ LtM}^2$$

Solution

$$k = \frac{ML^2}{\text{LtM}^2} = LM^{-1}t^{-1}$$

2. For the following dimensional equation, find the base dimensions of the parameter g .

$$T^{-1}tL = gL^{-2}$$

Solution

$$g = \frac{T^{-1}tL}{L^{-2}} = L^3tT^{-1}$$

3. For the following dimensional equation, find the base dimensions of the parameter h .

$$It^{-1} h = N$$

Solution

$$h = \frac{It^{-1}}{N} = N^{-1}t$$

4. For the following dimensional equation, find the base dimensions of the parameter f .

$$MM^{-3} = a \cos(fL)$$

Solution

The argument of a function must be dimensionless, so the parameter f must have the dimension of reciprocal length. Note also that the left side of the equation is dimensionless. Thus,

$$f = L^{-1}$$

5. For the following dimensional equation, find the base dimension of the parameter p .
- $$T = T \log(T^{-2} t p)$$

Solution

The argument of a function must be dimensionless, so the parameter p must have the dimensions

$$p = T^2 t^{-1}$$

Section 2.4 Practice!

1. A structural engineer states that an I-beam in a truss has a design stress of “five million, six hundred thousand pascals”. Write this stress using the appropriate SI unit prefix.

Solution

$$\text{Stress} = 5,600,000 \text{ Pa} = 5.6 \times 10^6 \text{ Pa} = 5.6 \text{ MPa}$$

2. The power cord on an electric string trimmer carries a current of 5.2 A. How many milliamperes is this? How many microamperes?

Solution

There are 10^3 mA and 10^6 μ A in 1 A. Thus,

$$5.2 \text{ A} = 5.2 \times 10^3 \text{ mA} = 5.2 \times 10^6 \mu\text{A}$$

3. Write the pressure 7.2 GPa in scientific notation.

Solution

$$7.2 \text{ GPa} = 7.2 \times 10^9 \text{ Pa}$$

4. Write the voltage 0.000875 V using the appropriate SI unit prefix.

Solution

$$0.000875 \text{ V} = 0.875 \times 10^{-3} \text{ V} = 0.875 \text{ mV} = 875 \mu\text{V}$$

5. In the following list, various quantities are written using SI units incorrectly. Write the quantities using the correct form of SI units.

	<u>Incorrect</u>	<u>Correct</u>
a.	4.5 mw	4.5 mW
b.	8.75 M pa	8.75 MPa
c.	200 Joules/sec	200 J/s
d.	20 W/m ² K	20 W/m ² ·K
e.	3 Amps	3 A

Section 2.6 Practice!

1. Essay.
2. Which is larger, a slug or a pound-mass?

Solution

From Appendix B,

$$1 \text{ kg} = 2.20462 \text{ lb}_m = 0.06852 \text{ slug.}$$

Dividing by 0.06852, we obtain

$$32.17 \text{ lb}_m = 1 \text{ slug.}$$

Thus, a slug is larger than a pound-mass (by a factor of 32.17).

3. Consider a professional linebacker who weighs 310 lb_f. What is his mass in slugs?

Solution

$$W = mg$$

$$m = \frac{W}{g} = \frac{310 \text{ lb}_f}{32.2 \text{ ft/s}^2}$$

$$= 9.63 \text{ slug}$$

4. A rock ($\rho = 2300 \text{ kg/m}^3$) is suspended by a single rope. Assuming the rock to be spherical with a radius of 20 cm, what is the tension in the rope?

Solution

If the weight of the rope itself is neglected, the tension in the rope is equivalent to the weight of the rock. The weight of the rock is

$$W = mg$$

where m is the mass of the rock and $g = 9.81 \text{ m/s}^2$.

$$\begin{aligned} m &= \rho V = \rho (4/3) \pi R^3 \\ &= (2300 \text{ kg/m}^3)(4/3)\pi(0.20 \text{ m})^3 \\ &= 77.07 \text{ kg} \end{aligned}$$

$$\begin{aligned} W = mg &= (77.07 \text{ kg})(9.81 \text{ m/s}^2) \\ &= 756 \text{ N} \end{aligned}$$

Section 2.7 Practice!

1. A micro switch is an electrical switch that requires only a small force to operate it. If a micro switch is activated by a 0.25-oz force, what is the force in units of N that will activate it?

Solution

$$0.25 \text{ oz} \times \frac{1 \text{ lb}_f}{16 \text{ oz}} \times \frac{1 \text{ N}}{0.22481 \text{ lb}_f} = 0.0695 \text{ N}$$

2. At room temperature, water has a density of about $62.4 \text{ lb}_m/\text{ft}^3$. Convert this value to units of slug/in^3 and kg/m^3 .

Solution

$$\frac{62.4 \text{ lb}_m}{\text{ft}^3} \times \frac{1 \text{ slug}}{32.17 \text{ lb}_m} \times \frac{1 \text{ ft}^3}{(12 \text{ in})^3} = 1.12 \times 10^{-3} \text{ slug}/\text{in}^3$$

$$\frac{62.4 \text{ lb}_m}{\text{ft}^3} \times \frac{1 \text{ kg}}{2.20462 \text{ lb}_m} \times \frac{(3.2808 \text{ ft})^3}{(1 \text{ m})^3} = 999.5 \text{ kg/m}^3$$

3. At launch, the Saturn V rocket that carried astronauts to the moon developed five million pounds of thrust. What is the thrust in units of MN?

Solution

$$5 \times 10^6 \text{ lb}_f \times \frac{1 \text{ N}}{0.22481 \text{ lb}_f} = 2.22 \times 10^7 \text{ N} = 22.2 \text{ MN}$$

4. Standard incandescent light bulbs produce more heat than light. Assuming that a typical house has twenty 60-W bulbs that are continuously on, how much heat in units of Btu/h is supplied to the house from light bulbs if 90 percent of the energy produced by the bulbs is in the form of heat?

Solution

$$0.90 \times 20 \times 60 \text{ W} \times \frac{3.4121 \text{ Btu/h}}{1 \text{ W}} = 3685 \text{ Btu/h}$$

5. Certain properties of animal tissue (including human) can be approximated using those of water. Using the density of water at room temperature, $\rho = 62.4 \text{ lb}_m/\text{ft}^3$, calculate the weight of a human male by approximating him as a cylinder with a length and diameter of 6 ft and 10 in, respectively.

Solution

The density of water in units of slug/ft³ is

$$62.4 \text{ lb}_m/\text{ft}^3 \times \frac{0.001940 \text{ slug/ft}^3}{0.06243 \text{ lb}_m/\text{ft}^3} = 1.9391 \text{ slug/ft}^3$$

The weight of the male is

$$\begin{aligned} W &= mg \\ &= \rho Vg = \rho \pi R^2 Lg \\ &= (1.9391 \text{ slug/ft}^3) \pi (0.4167 \text{ ft})^2 (6 \text{ ft}) (32.2 \text{ ft/s}^2) \\ &= 204 \text{ lb}_f \end{aligned}$$

6. The standard frequency for electrical power in the U.S. is 60 Hz. For an electrical device that operates on this power, how many times does the current alternate during a year?

Solution

The unit Hz is defined as one cycle per second. Thus,

$$\frac{60 \text{ cycle}}{\text{s}} \times \frac{3600 \text{ s}}{\text{h}} \times \frac{24 \text{ h}}{\text{day}} \times \frac{365 \text{ day}}{\text{year}} = 1.89 \times 10^9 \text{ cycle/year}$$

END-OF-CHAPTER PROBLEMS

Dimensions

- 2.1 For the following dimensional equations, find the base dimensions of the parameter k .

a. $MLt^{-2} = k ML^{-1}t^{-2}$

Solution

$$k = \frac{MLt^{-2}}{ML^{-1}t^{-2}} = L^2$$

b. $MLt^{-2}L^{-1} = k Lt^{-3}$

Solution

$$k = \frac{MLt^{-2}L^{-1}}{Lt^{-3}} = MtL^{-1}$$

c. $L^2t^{-2} = k M^4T^2$

Solution

$$k = \frac{L^2t^{-2}}{M^4T^2} = L^2 M^{-4} T^{-2} t^{-2}$$

d. $ML^2t^{-3} = k LT$

Solution

$$k = \frac{ML^2 t^{-3}}{nLL^3} = MLT^{-1}t^{-3}$$

e. $nLL^3 k = T^2 M^{-2} L$

Solution

$$k = \frac{T^2 M^{-2} L}{nLL^3} = T^2 M^{-2} n^{-1} L^{-3}$$

f. $MI^2 k = nTM^{-3}L^{-1}$

Solution

$$k = \frac{nTM^{-3}L^{-1}}{MI^2} = nTM^{-4}I^{-2}L^{-1}$$

g. $IL^2 t = k^2 M^4 t^2$

Solution

$$k^2 = \frac{IL^2 t}{M^4 t^2} = IL^2 M^{-4} t^{-1}$$

$$k = I^{1/2} L M^{-2} t^{-1/2}$$

h. $k^3 T^6 M^3 L^{-5} = T^{-3} t^{-6} L$

Solution

$$k^3 = \frac{T^{-3} t^{-6} L}{T^6 M^3 L^{-5}} = L^6 M^{-3} T^{-9} t^{-6}$$

$$k = L^2 M^{-1} T^{-3} t^{-2}$$

i. $T^{-1/2} L^{-1} I^2 = k^{-1/2} t^4 T^{-5/2} L^{-3}$

Solution

$$k = \frac{T^{-1/2} L^{-1} I^2}{t^4 T^{-5/2} L^{-3}} = \frac{1}{k^{1/2}}$$

$$k^{1/2} = \frac{t^4 \mathbf{T} \quad \mathbf{L}}{-1/2 \quad -1 \quad 2} = \mathbf{I} \mathbf{L} \mathbf{T} t$$

$$\mathbf{T} \quad \mathbf{L} \quad \mathbf{I}$$

$$k = \text{I}^{-1} \text{L}^{-4} \text{T}^{-4} \text{I}^8$$

j. $\text{MLt}^{-2} = \text{MLt}^{-2} \sin(k \text{L}^{-2} \text{M}^{-1})$

Solution

The argument of the sine function must be dimensionless, so

$$k = \text{L}^2 \text{M}$$

k. $\text{T}^2 \text{n} = \text{T}^2 \text{n} \ln(k \text{nT}^{-1})$

Solution

The argument of the natural logarithm must be dimensionless, so

$$k = \text{n}^{-1} \text{T}$$

2.2 Is the following dimensional equation dimensionally consistent? Explain.

$$\text{ML} = \text{ML} \cos(\text{Lt})$$

No, this equation is not dimensionally consistent because the argument of the cosine function, Lt , is not dimensionless.

2.3 Is the following dimensional equation dimensionally consistent? Explain.

$$t^2 \text{LT} = t \text{LT} \log(tt^{-1})$$

No, this equation is not dimensionally consistent because the quantities on the left side of the equation are not the same as those in front of the logarithm on the right side of the equation. The argument of the logarithm is dimensionless, however.

2.4 Is the following dimensional equation dimensionally consistent? Explain.

$$\text{TnT} = \text{TnT} \exp(\text{MM}^{-1})$$

Yes, the equation is dimensionally consistent because the argument of the exponential function is dimensionless, and the dimensions on the left side of the equation are the same as those in front of the exponential function.

Units

- 2.5 In the following list, various quantities are written using SI units incorrectly. Write the quantities using the correct form of SI units.

	<u>Incorrect</u>	<u>Correct</u>
a.	10.6 secs	10.6 s
b.	4.75 amp	4.75 A
c.	120 M hz	120 MHz
d.	2.5 kw	2.5 kW
e.	0.00846 kg/ μ s	8460 kg/s
f.	90 W/m ² K	90 W/m ² ·K
g.	650 mGPa	650 MPa
h.	25 MN.	25 MN
i.	950 Joules	950 J
j.	1.5 m/s/s	1.5 m/s ²

- 2.6 The dimension *moment*, sometimes referred to as *torque*, is defined as a force multiplied by a distance and is expressed in SI units of newton-meter (N·m). In addition to moment, what other physical quantities are expressed in SI units of N·m? What is the special name given to this combination of units?

The quantities *work*, *energy* and *heat* are also expressed in SI units of N·m. One newton-meter is equivalent to one joule. Thus, 1 N·m = 1 J.

- 2.7 Consider a 60-W light bulb. A watt (W) is defined as a joule per second (J/s). Write the quantity 60 W in terms of the units newton (N), meter (m), and second (s).

$$60 \text{ W} = 60 \text{ J/s} = 60 \text{ N}\cdot\text{m/s}$$

- 2.8 A commonly used formula in electrical circuit analysis is $P = IV$, power (W) equals current (A) multiplied by voltage (V). Using Ohm's law, write a formula for power in terms of current, I , and resistance, R .

Ohm's law: $V = IR$

Thus, $P = IV = I(IR) = I^2R$.

- 2.9 A particle undergoes an average acceleration of 8 m/s^2 as it travels between two points during a time interval of 2 s. Using unit considerations, derive a formula for the average velocity of a particle in terms of average acceleration and time interval. Calculate the average velocity of the particle for the numerical values given.

Solution

It is straightforward to remember that velocity is distance divided by time,

$$v = x/t$$

because we know that the units for velocity are length divided by time, or m/s in this instance. To derive a formula that relates acceleration, velocity and time, we recognize that acceleration differs from velocity by an extra time unit in the denominator, i.e., the SI units for acceleration are m/s^2 , whereas the SI units for velocity are m/s. Hence, a formula that relates acceleration, velocity and time is

$$v = at.$$

The average velocity of a particle with an average acceleration of 8 m/s^2 over a time interval of 2 s is

$$v = at = (8 \text{ m/s}^2)(2 \text{ s}) = 16 \text{ m/s}$$

- 2.10 A crane hoists a large pallet of materials from the ground to the top of a building. In hoisting this load, the crane does 250 kJ of work during a time interval of 5 s. Using unit considerations, derive a formula for power in terms of work and time interval. Calculate the power expended by the crane in lifting the load.

Solution

Power is defined as the rate of doing work. Thus, the units for power in the SI system are J/s, so the formula for power, P , is

$$P = W/t$$

where W is work and t is time. The power expended by the crane in lifting the load is

$$P = \frac{W}{t} = \frac{250 \text{ kJ}}{5 \text{ s}} = 50 \text{ kJ/s} = 50 \text{ kW}$$

Mass and weight

- 2.11 A spherical tank with a radius of 0.32 m is filled with water ($\rho = 1000 \text{ kg/m}^3$). Calculate the mass and the weight of the water in SI units.

Solution

The mass of the water is

$$\begin{aligned} m &= \rho V = \rho (4/3)\pi R^3 \\ &= (1000 \text{ kg/m}^3)(4/3)\pi(0.32 \text{ m})^3 \\ &= 137.3 \text{ kg} \end{aligned}$$

The weight of the water is

$$\begin{aligned} W &= mg \\ &= (137.3 \text{ kg})(9.81 \text{ m/s}^2) \\ &= 1347 \text{ N} \end{aligned}$$

- 2.12 A large indoor sports arena is cylindrical in shape. The height and diameter of the cylinder are 120 m and 180 m, respectively. Calculate the mass and weight of air contained in the sports arena in SI units if the density of air is $\rho = 1.20 \text{ kg/m}^3$.

Solution

The mass of the air is

$$\begin{aligned} m &= \rho V = \rho \pi R^2 h \\ &= (1.20 \text{ kg/m}^3)\pi(90 \text{ m})^2(120 \text{ m}) \\ &= 3.66 \times 10^6 \text{ kg} \end{aligned}$$

The weight of the air is

$$\begin{aligned} W &= mg \\ &= (3.664 \times 10^6 \text{ kg})(9.81 \text{ m/s}^2) \end{aligned}$$

$$= 3.595 \times 10^7 \text{ N} = 36.0 \text{ MN}$$

- 2.13 A 90-kg astronaut biologist searches for microbial life on Mars where the gravitational acceleration is $g = 3.71 \text{ m/s}^2$. What is the weight of the astronaut in units of N and lb_f ?

Solution

The weight of the astronaut in units of N is

$$\begin{aligned} W &= mg \\ &= (90 \text{ kg})(3.71 \text{ m/s}^2) \\ &= 334 \text{ N} \end{aligned}$$

The weight of the astronaut in units of lb_f is

$$W = 334 \text{ N} \times \frac{0.22481 \text{ lb}_f}{\text{N}} = 75.1 \text{ lb}_f$$

- 2.14 A 90-kg astronaut-biologist places a 4- lb_m rock sample on two types of scales on Mars in order to measure the rock's weight. The first scale is a beam balance which operates by comparing masses. The second scale operates by the compression of a spring. Calculate the weight of the rock sample in (lb_f) using (a) the beam balance and (b) the spring scale.

Solution

The mass of the rock in slugs is

$$m = 4 \text{ lb}_m \times \frac{1 \text{ slug}}{32.17 \text{ lb}_m} = 0.1243 \text{ slug}$$

From the previous problem, the gravitational acceleration on Mars is

$$g_M = 3.71 \text{ m/s}^2 \times \frac{3.2808 \text{ ft/s}^2}{1 \text{ m/s}^2} = 12.17 \text{ ft/s}^2$$

(a) Beam balance:

A beam balance measures weight by comparing the weight of an object with the weight of a reference weight. The beam balance will indicate that a 4- lb_m rock has a weight that is numerically equivalent to the mass of the rock. Thus, the weight of the rock is the product of its mass and the gravitational acceleration for Earth, $g_E = 32.2 \text{ ft/s}^2$.

$$W = mg_E = (0.1243 \text{ slug})(32.2 \text{ ft/s}^2) = 4.00 \text{ lb}_f$$

(b) Spring scale:

A spring scale measures weight by the compression of a spring under the load of the object being measured. The spring deflection depends on the local gravitational acceleration. Thus, the weight of the rock as measured by the spring scale on Mars is

$$W = mg_M = (0.1243 \text{ slug})(12.17 \text{ ft/s}^2) = 1.51 \text{ lb}_f$$

- 2.15 A copper plate measuring $1.2 \text{ m} \times 0.8 \text{ m} \times 3 \text{ mm}$ has a density of $\rho = 8940 \text{ kg/m}^3$. Find the mass and weight of the plate in SI units.

Solution

The mass of the plate is

$$\begin{aligned} m &= \rho V = \rho(LWH) \\ &= (8940 \text{ kg/m}^3)(1.2 \text{ m})(0.8 \text{ m})(0.003 \text{ m}) \\ &= 25.75 \text{ kg} \end{aligned}$$

The weight of the plate is

$$\begin{aligned} W &= mg \\ &= (25.75 \text{ kg})(9.81 \text{ m/s}^2) \\ &= 253 \text{ N} \end{aligned}$$

- 2.16 A circular tube of stainless steel ($\rho = 7840 \text{ kg/m}^3$) has an inside radius of 1.85 cm and an outside radius of 2.20 cm. If the tube is 35 cm long, what is the mass and weight of the tube in SI units?

Solution

The mass of the tube, which is a hollow cylinder, is

$$\begin{aligned} m &= \rho V = \rho\pi(R_o^2 - R_i^2)L \\ &= (7840 \text{ kg/m}^3)\pi[(0.0220 \text{ m})^2 - (0.0185 \text{ m})^2](0.35 \text{ m}) \end{aligned}$$

$$= 1.22 \text{ kg}$$

The weight of the tube is

$$\begin{aligned} W &= mg \\ &= (1.22 \text{ kg})(9.81 \text{ m/s}^2) \\ &= 12.0 \text{ N} \end{aligned}$$

- 2.17 The density of porcelain is $\rho = 144 \text{ lb}_m/\text{ft}^3$. Approximating a porcelain dinner plate as a flat disk with a diameter and thickness of 9 in and 0.2 in, respectively, find the mass of the plate in units of slug and lb_m . What is the weight of the plate in units of lb_f ?

Solution

To work the problem in a consistent set of units, we convert the diameter and thickness to units of ft.

$$D = 9 \text{ in} \times \frac{1 \text{ ft}}{12 \text{ in}} = 0.75 \text{ ft}$$

$$t = 0.2 \text{ in} \times \frac{1 \text{ ft}}{12 \text{ in}} = 0.0167 \text{ ft}$$

We also convert the density to units of slug/ft^3 .

$$\rho = 144 \text{ lb}_m/\text{ft}^3 \times \frac{0.001940 \text{ slug}/\text{ft}^3}{0.06243 \text{ lb}_m/\text{ft}^3} = 4.475 \text{ slug}/\text{ft}^3$$

The mass of the plate is

$$\begin{aligned} m &= \rho V = \rho(\pi D^2/4)t \\ &= (4.475 \text{ slug}/\text{ft}^3)\pi(0.75 \text{ ft})^2/4(0.0167 \text{ ft}) \\ &= 0.0330 \text{ slug} \end{aligned}$$

$$m = 0.0330 \text{ slug} \times \frac{32.17 \text{ lb}_m}{1 \text{ slug}} = 1.06 \text{ lb}_m$$

The weight of the plate is

$$W = mg = (0.0330 \text{ slug})(32.2 \text{ ft/s}^2) = 1.06 \text{ lb}_f \text{ (numerically equivalent to } \text{lb}_m)$$

- 2.18 In an effort to reduce the mass of an aluminum bulkhead for a spacecraft, a machinist drills an array of holes in the bulkhead. The bulkhead is a triangular-shaped plate with a base and height of 2.5 m and 1.6 m, respectively, and a thickness of 7 mm. How many 5-cm diameter holes must be drilled clear through the bulkhead to reduce its mass by 8 kg? For the density of aluminum, use $\rho = 2800 \text{ kg/m}^3$.

Solution

A formula for the total mass removed from the bulkhead by drilling N identical holes is

$$m = N \rho V = N \rho \pi R^2 t$$

where R is the hole radius and t is the bulkhead thickness. Solving for N we have

$$\begin{aligned} N &= \frac{m}{\rho \pi R^2 t} = \frac{(8 \text{ kg})}{(2800 \text{ kg/m}^3)\pi(0.025 \text{ m})^2(0.007 \text{ m})} \\ &= 208 \text{ holes} \end{aligned}$$

Note that the dimensions of the bulkhead were not necessary in the calculation, but the size of the triangular bulkhead given would easily accommodate 208 5-cm diameter holes.

Unit conversions

- 2.19 A world-class sprinter can run 100 m in a time of 9.80 s, an average speed of 10.2 m/s. Convert this speed to mi/h.

Solution

$$\frac{10.2 \text{ m}}{\text{s}} \times \frac{0.6214 \text{ mi}}{1000 \text{ m}} \times \frac{3600 \text{ s}}{\text{h}} = 22.8 \text{ mi/h}$$

- 2.20 A world-class mile runner can run 1 mi in a time of 4 min. What is the runner's average speed in units of mi/h and m/s?

Solution

$$\frac{1 \text{ mi}}{4 \text{ min}} \times \frac{60 \text{ min}}{1 \text{ h}} = 15.0 \text{ mi/h}$$

$$\frac{1 \text{ mi}}{4 \text{ min}} \times \frac{1 \text{ min}}{60 \text{ s}} \times \frac{1000 \text{ m}}{0.6214 \text{ mi}} = 6.71 \text{ m/s}$$

- 2.21 The typical home is heated by a forced air furnace that burns natural gas or fuel oil. If the heat output of the furnace is 175,000 Btu/h, what is the heat output in units of kW?

Solution

$$175,000 \text{ Btu/h} \times \frac{1 \text{ W}}{3.4121 \text{ Btu/h}} = 51,288 \text{ W} = 51.3 \text{ kW}$$

- 2.22 Calculate the temperature at which the Celsius (°C) and Fahrenheit (°F) scales are numerically equal.

Solution

The formula for converting from °C to °F is

$$T(°F) = T(°C) + 32$$

Thus, if $T(°C) = T(°F)$, the formula becomes

$$T = 1.8T + 32$$

Solving for T , we obtain

$$T = -40.$$

- 2.23 A large shipping container of ball bearings is suspended by a cable in a manufacturing plant. The combined mass of the container and ball bearings is 3250 lb_m. Find the tension in the cable in units of N.

Solution

The tension in the cable is the combined weight of the container and ball bearings. The total weight is

$$\begin{aligned} W &= mg \\ &= (3250 \text{ lb}_m) \times \frac{1 \text{ kg}}{2.20462 \text{ lb}_m} \times (9.81 \text{ m/s}^2) = 14.5 \times 10^3 \text{ N} = 14.5 \text{ kN} \end{aligned}$$

- 2.24 A typical human adult loses about 65 Btu/h·ft² of heat while engaged in brisk walking. Approximating the human adult body as a cylinder with a height and diameter of 5.8 ft and 10 in, respectively, find the total amount of heat lost in units of J if the brisk walking is maintained for a period of 1 h. Include the two ends of the cylinder in the surface area calculation.

Solution

First, we convert the given quantities from English to SI units. The height and diameter of the cylinder are

$$h = 5.8 \text{ ft} \times \frac{1 \text{ m}}{3.2808 \text{ ft}} = 1.768 \text{ m}$$

$$D = 10 \text{ in} \times \frac{1 \text{ m}}{39.370 \text{ in}} = 0.254 \text{ m} \quad R = D/2 = 0.127 \text{ m}$$

The heat flux is

$$q = \frac{65 \text{ Btu}}{\text{h} \cdot \text{ft}^2} \times \frac{1055.06 \text{ J}}{1 \text{ Btu}} \times \frac{10.7636 \text{ ft}^2}{1 \text{ m}^2} \times \frac{1 \text{ h}}{3600 \text{ s}} = 205 \text{ J/s} \cdot \text{m}^2 = 205 \text{ W/m}^2$$

The total amount of heat lost is

$$Q = qAt$$

where A is total surface area and t is time. Thus, we have

$$\begin{aligned} Q &= q (2\pi Rh + 2\pi R^2)t \\ &= (205 \text{ W/m}^2)[2\pi(0.127 \text{ m})(1.768 \text{ m}) + 2\pi(0.127 \text{ m})^2](3600 \text{ s}) \\ &= 1.12 \times 10^6 \text{ J} = 1.12 \text{ MJ} \end{aligned}$$

- 2.25 A symmetric I-beam of structural steel ($\rho = 7860 \text{ kg/m}^3$) has the cross section shown in Figure P2.25. Calculate the weight per unit length of the I-beam in units of N/m and lb_f/ft.

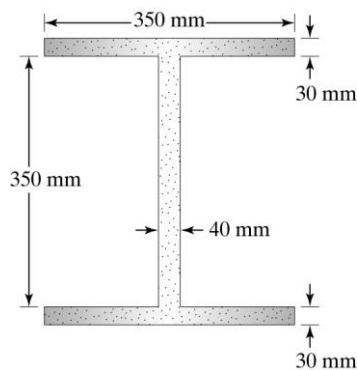


Figure P2.25

Solution

The cross sectional area of the I-beam is the sum of the cross sectional areas of the two flanges and the web. Thus, we have

$$A = 2(0.350 \text{ m})(0.030 \text{ m}) + (0.350 \text{ m})(0.040 \text{ m}) = 0.0350 \text{ m}^2$$

The weight of the I-beam for a 1-m length is

$$\begin{aligned} W &= \rho A g \\ &= (7860 \text{ kg/m}^3)(0.0350 \text{ m}^2)(9.81 \text{ m/s}^2) \\ &= 2699 \text{ N/m} \end{aligned}$$

Converting this quantity to units of lb_f/ft , we have

$$\begin{aligned} W &= 2699 \text{ N/m} \times 0.22481 \text{ lb}_f/\text{N} \times 1 \text{ m}/3.2808 \text{ ft} \\ &= 184.9 \text{ lb}_f/\text{ft} \end{aligned}$$

- 2.26 A sewer pipe carries waste away from a commercial building at a mass flow rate of 6 kg/s. What is this flow rate in units of lb_m/s and slug/h?

Solution

$$\frac{6 \text{ kg}}{\text{s}} \times \frac{2.20462 \text{ lb}_m}{\text{kg}} = 13.2 \text{ lb}_m/\text{s}$$

$$\frac{6 \text{ kg}}{\text{s}} \times \frac{0.06852 \text{ slug}}{\text{kg}} \times \frac{3600 \text{ s}}{\text{h}} = 1480 \text{ slug/h}$$

- 2.27 The rate at which solar radiation is intercepted by a unit area is called solar heat flux. Just outside the earth's atmosphere, the solar heat flux is approximately 1350 W/m^2 . Determine the value of this solar heat flux in units of $\text{Btu/h}\cdot\text{ft}^2$.

Solution

$$\frac{1350 \text{ W}}{\text{m}^2} \times \frac{3.4121 \text{ Btu/h}}{1 \text{ W}} \times \frac{1 \text{ m}^2}{10.7636 \text{ ft}^2} = 428 \text{ Btu/h}\cdot\text{ft}^2$$

- 2.28 During a typical summer day in the arid southwest regions of the United States, the outdoor air temperature may range from 115°F during the late afternoon to 50°F several hours after sundown. What is this temperature range in units of °C, K, and °R?

Solution

$$\Delta T(^{\circ}\text{F}) = 65^{\circ}\text{F}$$

°C

$$\Delta T(\text{K}) = \Delta T(^{\circ}\text{C}) = 36.1 \text{ K}$$

°R

- 2.29 An old saying is “an ounce of prevention is worth a pound of cure.” Restate this maxim in terms of the SI unit newton.

Solution

$$1 \text{ oz} \times \frac{1 \text{ lb}_f}{16 \text{ oz}} \times \frac{1 \text{ N}}{0.22481 \text{ lb}_f} = 0.2780 \text{ N}$$

$$1 \text{ lb}_f \times \frac{1 \text{ N}}{0.22481 \text{ lb}_f} = 4.448 \text{ N}$$

Maxim restated: “0.2780 N of prevention is worth 4.448 N of cure.”

- 2.30 How many seconds are there in the month of July?

Solution

$$\frac{3600 \text{ s}}{\text{h}} \times \frac{24 \text{ h}}{\text{day}} \times \frac{31 \text{ day}}{\text{month}} = 2.678 \times 10^6 \text{ s/month}$$

- 2.31 What is your approximate age in seconds?

Solution

$$\text{age (in years)} \times \frac{3600 \text{ s}}{\text{h}} \times \frac{24 \text{ h}}{\text{day}} \times \frac{365 \text{ day}}{\text{y}} = \text{age} \times 3.154 \times 10^7$$

- 2.32 A highway sign is supported by two posts as shown. The sign is constructed of a high-density pressboard material ($\rho = 900 \text{ kg/m}^3$), and its thickness is 2 cm. Assuming that each post carries half the weight of the sign, calculate the compressive force in the posts in units of N and lb_f .

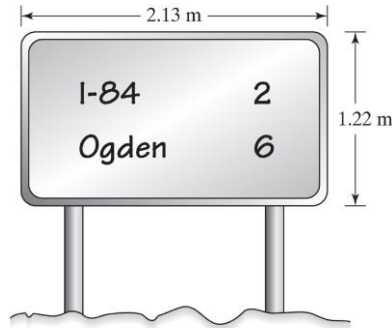


Figure P2.32

Solution

The weight of the sign is

$$\begin{aligned}
 W &= mg = V\rho g \\
 &= (2.13 \text{ m})(1.22 \text{ m})(0.02 \text{ m})(900 \text{ kg/m}^3)(9.81 \text{ m/s}^2) \\
 &= 459 \text{ N}
 \end{aligned}$$

Thus, the compressive force in each post is

$$\begin{aligned}
 F &= W/2 = (459 \text{ N})/2 = 229 \text{ N} \\
 F &= 229 \text{ N} \times \frac{0.22481 \text{ lb}_f}{\text{N}} = 51.6 \text{ lb}_f
 \end{aligned}$$

- 2.33 The steam exiting a turbine has a temperature and pressure of 400°C and 8 MPa, respectively. What is the temperature and pressure of the steam in units of K and psi, respectively?

Solution

$$\begin{aligned}
 T(\text{K}) &= T(^{\circ}\text{C}) + 273.15 \\
 &= 400^\circ\text{C} + 273.15 = 673 \text{ K}
 \end{aligned}$$

$$8 \text{ MPa} \times \frac{1000 \text{ kPa}}{1 \text{ MPa}} \times \frac{0.14504 \text{ psi}}{1 \text{ kPa}} = 1160 \text{ psi}$$

- 2.34 A pressure gauge designed to measure small pressure differences in air ducts has an operating range of 0 to 16 in H₂O. What is this pressure range in units of Pa and psi?

Solution

$$16 \text{ in H}_2\text{O} \times \frac{1 \text{ kPa}}{4.0146 \text{ in H}_2\text{O}} \times \frac{1000 \text{ Pa}}{1 \text{ kPa}} = 3986 \text{ Pa}$$

$$16 \text{ in H}_2\text{O} \times \frac{0.14504 \text{ psi}}{4.0146 \text{ in H}_2\text{O}} = 0.578 \text{ psi}$$

- 2.35 Resistors are electrical devices that retard the flow of current. These devices are rated by the maximum power they are capable of dissipating as heat to the surroundings. How much heat does a 25-W resistor dissipate in units of Btu/h if the resistor operates at maximum capacity? Using the formula $P = I^2R$, what is the current flow, I , in the resistor if it has a resistance, R , of 100 Ω?

Solution

$$25 \text{ W} \times \frac{3.4121 \text{ Btu/h}}{1 \text{ W}} = 85.3 \text{ Btu/h}$$

$$\begin{aligned} I &= (P/R)^{1/2} \\ &= (25 \text{ W}/100 \text{ } \Omega)^{1/2} \\ &= 0.50 \text{ A} \end{aligned}$$

- 2.36 Chemical reactions can generate heat. This type of heat generation is often referred to as volumetric heat generation because the heat is produced internally by every small parcel of chemical. Consider a chemical reaction that generates heat at the rate of 125 MW/m³. Convert this volumetric heat generation to units of Btu/h·ft³.

Solution

$$\frac{125 \times 10^6 \text{ W}}{\text{m}^3} \times \frac{3.4121 \text{ Btu/h}}{1 \text{ W}} \times \frac{1 \text{ m}^3}{35.3134 \text{ ft}^3} = 1.21 \times 10^7 \text{ Btu/h}\cdot\text{ft}^3$$

- 2.37 A sport-utility vehicle has an engine that delivers 290 hp. How much power does the engine produce in units of kW and Btu/h?

Solution

$$290 \text{ hp} \times \frac{745.7 \text{ W}}{1 \text{ hp}} \times \frac{1 \text{ kW}}{1000 \text{ W}} = 216 \text{ kW}$$

$$290 \text{ hp} \times \frac{3.4121 \text{ Btu/h}}{1 \text{ W}} \times \frac{745.7 \text{ W}}{1 \text{ hp}} = 7.38 \times 10^5 \text{ Btu/h}$$

- 2.38 A copper tube carries hot water to a dishwasher at a volume flow rate of 3 gal/min. Convert this flow rate to units of m³/s and ft³/h.

Solution

$$\frac{3 \text{ gal}}{\text{min}} \times \frac{1 \text{ m}^3}{264.17 \text{ gal}} \times \frac{1 \text{ min}}{60 \text{ s}} = 1.89 \times 10^{-4} \text{ m}^3/\text{s}$$

$$\frac{3 \text{ gal}}{\text{min}} \times \frac{35.3134 \text{ ft}^3}{264.17 \text{ gal}} \times \frac{60 \text{ min}}{1 \text{ h}} = 24.1 \text{ ft}^3/\text{h}$$

- 2.39 Thermal conductivity is a property that denotes the ability of a material to conduct heat. A material with a high thermal conductivity readily transports heat whereas a material with a low thermal conductivity tends to retard heat flow. Fiberglass insulation and silver have thermal conductivities of 0.046 W/m·°C and 429 W/m·°C, respectively. Convert these values to units of Btu/h·ft·°F.

Solution

$$\frac{0.046 \text{ W}}{\text{C}} \times \frac{3.4121 \text{ Btu/h}}{\text{W}} \times \frac{1 \text{ m}}{\text{ft}} \times \frac{^\circ\text{C}}{^\circ\text{F}} = 0.0266 \text{ Btu/h}\cdot\text{ft}\cdot\frac{^\circ\text{C}}{^\circ\text{F}}$$

$$\frac{\text{W}}{\text{C}} \times \frac{\text{Btu/h}}{\text{W}} \times \frac{\text{m}}{\text{ft}} \times \frac{^\circ\text{C}}{^\circ\text{F}} = \frac{\text{Btu/h}\cdot\text{ft}\cdot\frac{^\circ\text{C}}{^\circ\text{F}}}{\text{ft}\cdot\text{F}}$$

- 2.40 A standard incandescent 60-W light bulb has an average life of 1000 h. What is the total amount of energy that this light bulb produces during its lifetime? Express the answer in units of J, Btu, and cal.

Solution

$$60 \text{ W} \times \frac{1 \text{ J/s}}{1 \text{ W}} \times \frac{3600 \text{ s}}{1 \text{ h}} \times 1000 \text{ h} = 2.16 \times 10^8 \text{ J} = 216 \text{ MJ}$$

$$2.16 \times 10^8 \text{ J} \times \frac{1 \text{ Btu}}{1055.06 \text{ J}} = 2.05 \times 10^5 \text{ Btu}$$

$$2.16 \times 10^8 \text{ J} \times \frac{1 \text{ cal}}{4.1868 \text{ J}} = 5.16 \times 10^7 \text{ cal}$$

- 2.41 A steam power plant produces 750 MW of power. How much energy does the power plant produce in a year? Express your answer in units of J and Btu.

Solution

$$750 \text{ MW} \times \frac{1 \times 10^6 \text{ J/s}}{1 \text{ MW}} \times \frac{3600 \text{ s}}{1 \text{ h}} \times \frac{24 \text{ h}}{\text{day}} \times \frac{365 \text{ day}}{1 \text{ y}} = 2.37 \times 10^{16} \text{ J/y}$$

$$2.37 \times 10^{16} \text{ J/y} \times \frac{1 \text{ Btu}}{1055.06 \text{ J}} = 2.25 \times 10^{13} \text{ Btu/y}$$

- 2.42 It is estimated that about 60 million Americans go on a new diet each year. If each of these people cuts 300 cal from their diets each day, how many 100-W light bulbs could be powered by this energy?

Solution

The 300 cal referred to here are *nutritional* calories, and 1 nutritional calorie equals 1000 calories of energy, i.e., about 4186.8 J. In a one-day period, the number of 100-W light bulbs powered is

$$\frac{300 \times 10^3 \text{ cal}}{\text{day}} \times (60 \times 10^6) \times \frac{4.1868 \text{ J}}{1 \text{ cal}} \times \frac{1 \text{ day}}{24 \text{ h}} \times \frac{1 \text{ h}}{3600 \text{ s}} \times \frac{1 \text{ W}}{1 \text{ J/s}} \times \frac{1}{100 \text{ W}} = 8.72 \times 10^6$$

- 2.43 The standard acceleration of gravity at the earth's surface is $g = 9.81 \text{ m/s}^2$. Convert this acceleration to units of ft/h^2 and mi/s^2 .

Solution

$$9.81 \frac{\text{m}}{\text{s}^2} \times \frac{3.2808 \text{ ft}}{\text{m}} \times \frac{(3600 \text{ s})^2}{\text{h}^2} = 4.17 \times 10^8 \text{ ft/h}^2$$

$$9.81 \frac{\text{m}}{\text{s}^2} \times \frac{0.6214 \text{ mi}}{1000 \text{ m}} = 6.10 \times 10^{-3} \text{ mi/s}^2$$

- 2.44 At room temperature, air has a specific heat of $1.007 \text{ kJ/kg} \cdot ^\circ\text{C}$. Convert this value to units of $\text{J/kg} \cdot \text{K}$ and $\text{Btu/lb}_m \cdot ^\circ\text{F}$.

Solution

$$1.007 \frac{\text{kJ}}{\text{kg} \cdot ^\circ\text{C}} \times \frac{1000 \text{ J}}{\text{kJ}} \times \frac{1^\circ\text{C}}{1 \text{ K}} = 1007 \text{ J/kg K}$$

$$1.007 \frac{\text{kJ}}{\text{kg} \cdot ^\circ\text{C}} \times \frac{1 \text{ Btu}}{1055.06 \text{ J}} \times \frac{1000 \text{ J}}{\text{kJ}} \times \frac{1 \text{ kg}}{2.20462 \text{ lb}_m} \times \frac{1^\circ\text{C}}{1.8 \text{ }^\circ\text{F}} = 0.241 \frac{\text{Btu}}{\text{lb}_m \cdot ^\circ\text{F}}$$

- 2.45 The yield stress for structural steel is approximately 250 MPa . Convert this value to units of psi .

Solution

$$250 \text{ MPa} \times \frac{145.04 \text{ psi}}{\text{MPa}} = 3.63 \times 10^4 \text{ psi}$$

- 2.46 A 20-gage tungsten wire carries a current of 6.8 A . The electrical resistance of this wire is 106Ω per kilometer of length. Find the power dissipated from this wire per meter of length in units of W . (Hint: Use the formula $P = I^2R$, where P = power, I = current, R = resistance). How much energy does this wire dissipate in one hour? one year?

Solution

The power dissipated from this wire per meter of length is

$$P = I^2R = (6.8 \text{ A})^2(0.106 \Omega)$$

$$= 4.90 \text{ W}$$

Power is energy per time, so the energy dissipated by the wire in one hour is

$$E = P t$$

$$= (4.90 \text{ J/s})(1 \text{ h} \times \frac{3600 \text{ s}}{\text{h}}) = 1.76 \times 10^4 \text{ J} = 17.6 \text{ kJ}$$

and the energy dissipated by the wire in one year is

$$E = (4.90 \text{ J/s})(1 \text{ y} \times \frac{365 \text{ day}}{\text{y}} \times \frac{24 \text{ h}}{\text{day}} \times \frac{3600 \text{ s}}{\text{h}}) = 1.55 \times 10^8 \text{ J} = 155 \text{ MJ}$$

- 2.47 An open pit copper mine yields 7×10^4 kg of copper per day. From the same ore, the mine also yields 2×10^3 kg of silver and 30 kg of gold per day. In units of lb_m , what is the annual production of these metals from the mine assuming year around operation?

Solution

The annual yield of copper is

$$\text{copper: } 7 \times 10^4 \frac{\text{kg}}{\text{day}} \times \frac{365 \text{ day}}{\text{y}} \times \frac{2.20462 \text{ lb}_m}{\text{kg}} = 5.63 \times 10^7 \text{ lb}_m/\text{y}$$

The annual yield of silver is

$$\text{silver: } 2 \times 10^3 \frac{\text{kg}}{\text{day}} \times \frac{365 \text{ day}}{\text{y}} \times \frac{2.20462 \text{ lb}_m}{\text{kg}} = 1.61 \times 10^6 \text{ lb}_m/\text{y}$$

The annual yield of gold is

$$\text{gold: } 30 \frac{\text{kg}}{\text{day}} \times \frac{365 \text{ day}}{\text{y}} \times \frac{2.20462 \text{ lb}_m}{\text{kg}} = 2.41 \times 10^4 \text{ lb}_m/\text{y}$$